



SUN-U P.Q.C.S. Energy Technology Co., Ltd.

POWER QUALITY CONTROL SYSTEM P.Q.C.S.



<http://www.sun-u.com.tw/>

Company Profile

We utilize many advanced technologies for saving energy worldwide. We specialize in the reduction of carbon consumption for industrial, commercial, and residential uses:

- Power Quality Control System (P.Q.C.S.)
- Advanced Metering Infrastructure (AMI) Power Saving/ Monitoring/Application.

Our company is not only dedicated to help industries save money, but save Mother Earth by reducing the amount of carbon releases into the atmosphere.

Our company develops the energy saving system from design, manufacturing, installation, and maintenance services.

Awards and Certificates



TAF Certificate



P.Q.C.S. China Patent



P.Q.C.S. Taiwan Patent



Heavy Oil Processor
Taiwan Patent

Outstanding Achievement

- Leisure industry
- Retail industry
- Plastic products manufacturing (injection/ compression) industry
- Catering industry
- Tire industry
- Motorcycles and parts manufacturing industry
- Chemical industry
- Motor vehicle parts manufacturing industry
- Metal & Hardware processing and manufacturing industry
- Sand and gravel depots



AMI Management “Power Quality Control System”

Comprehensive Power Conservation/State-of-the-Art Computerized Monitoring and Management

Overview Features

100% Legal Compliance

Pursuant to regulations governing the domestic electrical power industry (Article 105 and 106), our solutions:

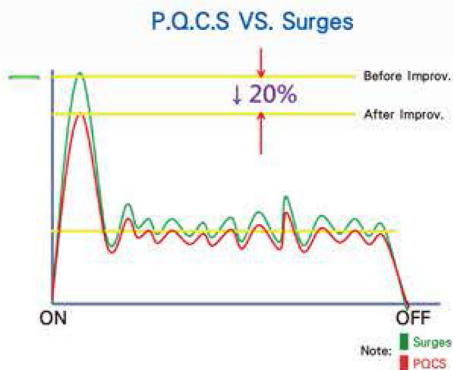
- Do not remove the seal on power meters or on electricity rooms
- Do not involve in any procedure that would cause damages to the power meter that might result in malfunctioning
- Do not involve in any procedure that might violate pertinent regulations on power theft stipulated by the government
- Do not require installation or constructions of parts that would disrupt the normal operation of any machinery or equipment operated by corporate clients
- 100% legitimate secondary wiring from the main power switch after the power meter

Energy Saving Results and Functions

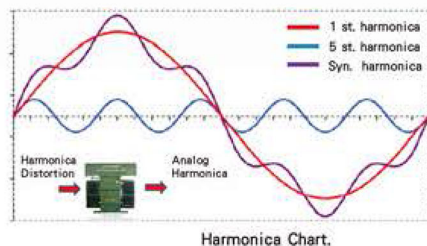
- Save up to 15~30% of energy charge
- Noticeable improvement in power efficiency and reduces idle current
- Prolong the lifecycle of auxiliary equipment by ensuring appropriate adjustment of voltage and phases
- Raise the tolerance of circuit breakers by over 15%
- Optimize power quality and improve power efficiency for power consuming facilities
- Improve performance by stabilizing current, power flow and balances three-phase circuits
- Save energy by raising the power factor
- Suppress contamination and interferences of ultra frequency

Industrial Grade Accessories - AMI

- Industrial Grade Accessories – AMI
- Power quality monitoring
- Power data capturing and printing
- Comprehensive energy-saving and monitoring features
- Power demand management/overuse control
- Daily reports / monthly statement query
- Chart analysis and anomaly warning record
- Improving the efficiency of power systems and reducing power costs

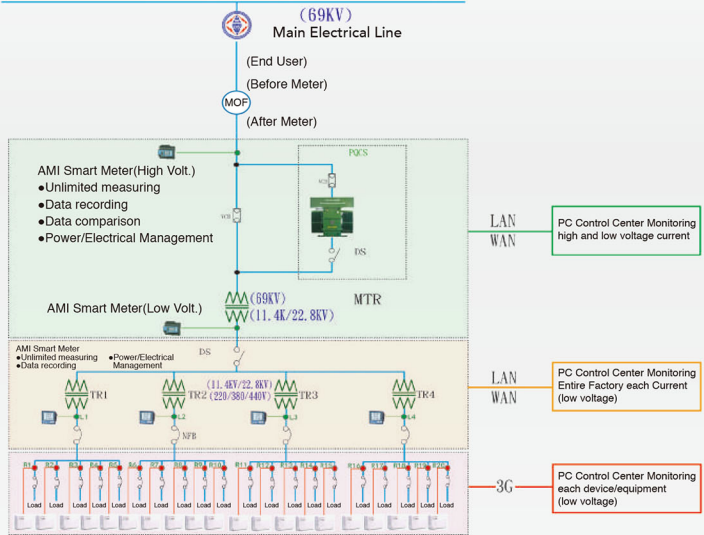


Power Quality VS. Var. Elec. Pollution



P.Q.C.S. and Entire Factory Circuit Monitoring System Diagram

- The First Phase**
 Entire Factory **Power Quality Control System**
- Monitoring high and low voltage currents data and records (V, I, KW, Var, KVA, Kwh, pf, Hz, and harmonica current etc.)
 - Web-base Monitoring and search (website + software)
 - Data/Chart viewing (real-time + history)
 - Provide comparable data between electrical company and P.Q.C.S. system
- The Second Phase**
 Entire Factory **each Current** (low voltage) Monitoring
- Monitoring low voltage current data and records (V, I, KW, Var, KVA, Kwh, pf, Hz, and harmonica currents etc.)
 - Web-base Monitoring and search (website + software)
- The Final Phase**
 Entire Factory **each device/equipment** (low voltage) Monitoring
- Monitoring low voltage current data and records (V, I, KW, Var, pf, Hz, and Temp. etc.)
 - Web-base Monitoring and search (website + software)
 - Send emergency alarm message to mobile phone/computer



Historical Data Query and Printing

We offer various daily and monthly statements and report for different measurements to serve as useful references for administrators in power consumption analyses and efficiency improvements, including:

- Daily average, maximum, and minimum vales statement
- Monthly statement for power demand
- Power/ hour usage statistical report
- Daily power usage statistical report
- Monthly power usage statistical report
- Monthly electrical consumption statistical report
- Control anomaly records

Time	Power (KW)	Power (KVA)	Power (KWH)	Power (KVAR)	Power (KVAH)	Power (KVAH)	Power (KVAH)	Power (KVAH)	Power (KVAH)
1	1.205191	1.205191	1.205191	1.205191	1.205191	1.205191	1.205191	1.205191	1.205191
2	1.205191	1.205191	1.205191	1.205191	1.205191	1.205191	1.205191	1.205191	1.205191
3	1.205191	1.205191	1.205191	1.205191	1.205191	1.205191	1.205191	1.205191	1.205191
4	1.205191	1.205191	1.205191	1.205191	1.205191	1.205191	1.205191	1.205191	1.205191
5	1.205191	1.205191	1.205191	1.205191	1.205191	1.205191	1.205191	1.205191	1.205191
6	1.205191	1.205191	1.205191	1.205191	1.205191	1.205191	1.205191	1.205191	1.205191
7	1.205191	1.205191	1.205191	1.205191	1.205191	1.205191	1.205191	1.205191	1.205191
8	1.205191	1.205191	1.205191	1.205191	1.205191	1.205191	1.205191	1.205191	1.205191
9	1.205191	1.205191	1.205191	1.205191	1.205191	1.205191	1.205191	1.205191	1.205191
10	1.205191	1.205191	1.205191	1.205191	1.205191	1.205191	1.205191	1.205191	1.205191
11	1.205191	1.205191	1.205191	1.205191	1.205191	1.205191	1.205191	1.205191	1.205191
12	1.205191	1.205191	1.205191	1.205191	1.205191	1.205191	1.205191	1.205191	1.205191
13	1.205191	1.205191	1.205191	1.205191	1.205191	1.205191	1.205191	1.205191	1.205191
14	1.205191	1.205191	1.205191	1.205191	1.205191	1.205191	1.205191	1.205191	1.205191
15	1.205191	1.205191	1.205191	1.205191	1.205191	1.205191	1.205191	1.205191	1.205191
16	1.205191	1.205191	1.205191	1.205191	1.205191	1.205191	1.205191	1.205191	1.205191
17	1.205191	1.205191	1.205191	1.205191	1.205191	1.205191	1.205191	1.205191	1.205191
18	1.205191	1.205191	1.205191	1.205191	1.205191	1.205191	1.205191	1.205191	1.205191
19	1.205191	1.205191	1.205191	1.205191	1.205191	1.205191	1.205191	1.205191	1.205191
20	1.205191	1.205191	1.205191	1.205191	1.205191	1.205191	1.205191	1.205191	1.205191
21	1.205191	1.205191	1.205191	1.205191	1.205191	1.205191	1.205191	1.205191	1.205191
22	1.205191	1.205191	1.205191	1.205191	1.205191	1.205191	1.205191	1.205191	1.205191
23	1.205191	1.205191	1.205191	1.205191	1.205191	1.205191	1.205191	1.205191	1.205191
24	1.205191	1.205191	1.205191	1.205191	1.205191	1.205191	1.205191	1.205191	1.205191
25	1.205191	1.205191	1.205191	1.205191	1.205191	1.205191	1.205191	1.205191	1.205191
26	1.205191	1.205191	1.205191	1.205191	1.205191	1.205191	1.205191	1.205191	1.205191
27	1.205191	1.205191	1.205191	1.205191	1.205191	1.205191	1.205191	1.205191	1.205191
28	1.205191	1.205191	1.205191	1.205191	1.205191	1.205191	1.205191	1.205191	1.205191
29	1.205191	1.205191	1.205191	1.205191	1.205191	1.205191	1.205191	1.205191	1.205191
30	1.205191	1.205191	1.205191	1.205191	1.205191	1.205191	1.205191	1.205191	1.205191



SUN-U P.Q.C.S. Energy Technology Co., Ltd.
 TEL : +886-7-702-6131 FAX: +886-7-703-7172
 ADD : Rm.403, 4F., No.268, Fengping 1st. Rd., Daliao Dist.,Kaohsiung City 831, Taiwan (R.O.C.)
 E-Mail : master@sun-u.url.tw
 Web : http://www.sun-u.com.tw/

